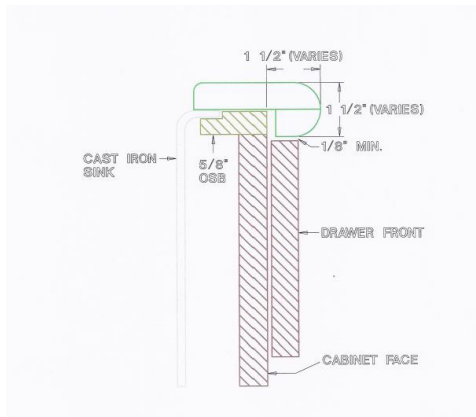


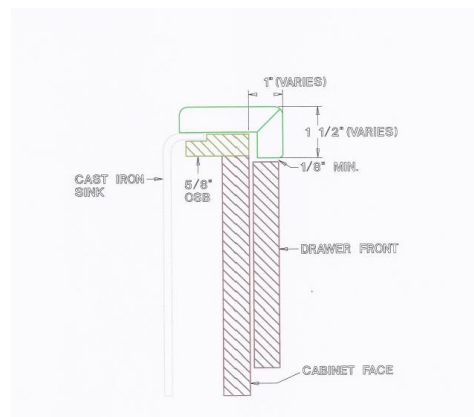
## Preparation checklist

- Cabinets need to be level, flat and secured to the foundation properly.
- A 5/8" sub deck or "rough top" needs to overlay the top of the cabinets and flush with frames. 5/8" OSB or plywood should be used. See illustrations.
- All parts of the cabinets need to be installed and in place. Including cabinet end panels and drawer fronts.
- All sinks, cutouts, ranges and or cooktops need to be on-site or installed before we can measure.
- Faucet holes: How many and location.
- Undermount sinks can be mounted in place by mounting them flush with the sub deck. Must have at least 1/4" play side-to-side and front to back. Sinks are not to be glued in place. See illustrations
- Overhangs should be made using sub deck and corbels or aluminum underlayment, which Design Images can provide.

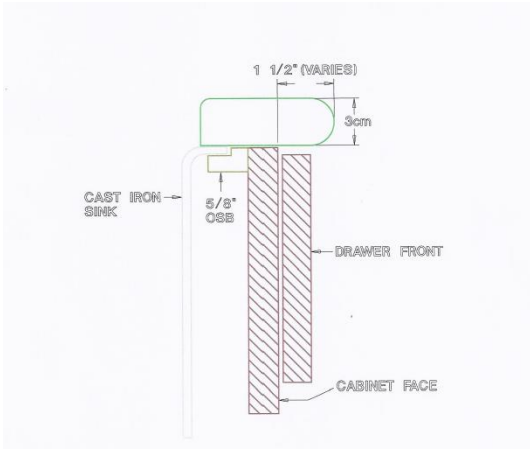
2cm with 1 1/2" Edge, Sub deck on top "Standard"



1 1/2 Miter With Sub Deck



### 3cm Recessed Sub Deck



### 3cm With Sub Deck on Top with wood molding "Wood

